



## Foldaway Bed Frame and Cabinet Construction Guide

CM-VOBT-PART./90/140X190-JW062 Cabinet Instructions

Issued 21/07/2010, Hideaway Beds Ltd

Amended: 19/05/16, 18/09/19

By using this guide, you hereby agree to the following:

*Our own patent internationally protects all manufactured items. Your statutory rights as a consumer are not affected. Please note that we practice a policy of continual review and reserve the right to change the above guide at any time without notice. E&OE Hideaway Beds Ltd Sep 2019.*

## Introduction

The following notes are intended as a guide for the construction of cabinets to mount and accommodate the Foldaway (CMVOBT) 90/140 bed frames and mechanisms. Due to the difference in cabinet making styles and fitting techniques, it is suggested that a prototype cabinet is made using this guide, in order to tailor these instructions to suit your individual requirements.



**Note: it is essential that the bed assembly is securely fixed to the wall with correct fixings. Do not try to pull the bed down into the horizontal position unless it is fixed. Risk of injury or death may occur if wall bed and / or cabinet is not correctly secured. All wall beds and cabinets must be securely fixed to the wall and fixations regularly checked.**

**IMPORTANT:** If packaging is damaged check bed frame for any damages and all components are present. If any items are missing contact your retailer immediately. Under **NO** circumstances store/lay objects under the bed or between the door and bed-frame when in the horizontal position, doing so will result in damages to the door and bed frame.

## Components List

1 X Bed frame (in 2 pieces)	2 X Bedding straps
2 X Bed frame joining bars (1 X additional on double beds)	2 X Mounting Plates + fixings
3 X Sub-frame joining bars	2 X Mechanisms
1 X Mattress support bar (2 X on double beds)	1 X Mechanism fixing kit
1 X Leg bar	2 X Wall brackets
2 X Leg ends - 'U' shape	

## Suggested Cabinet Dimensions

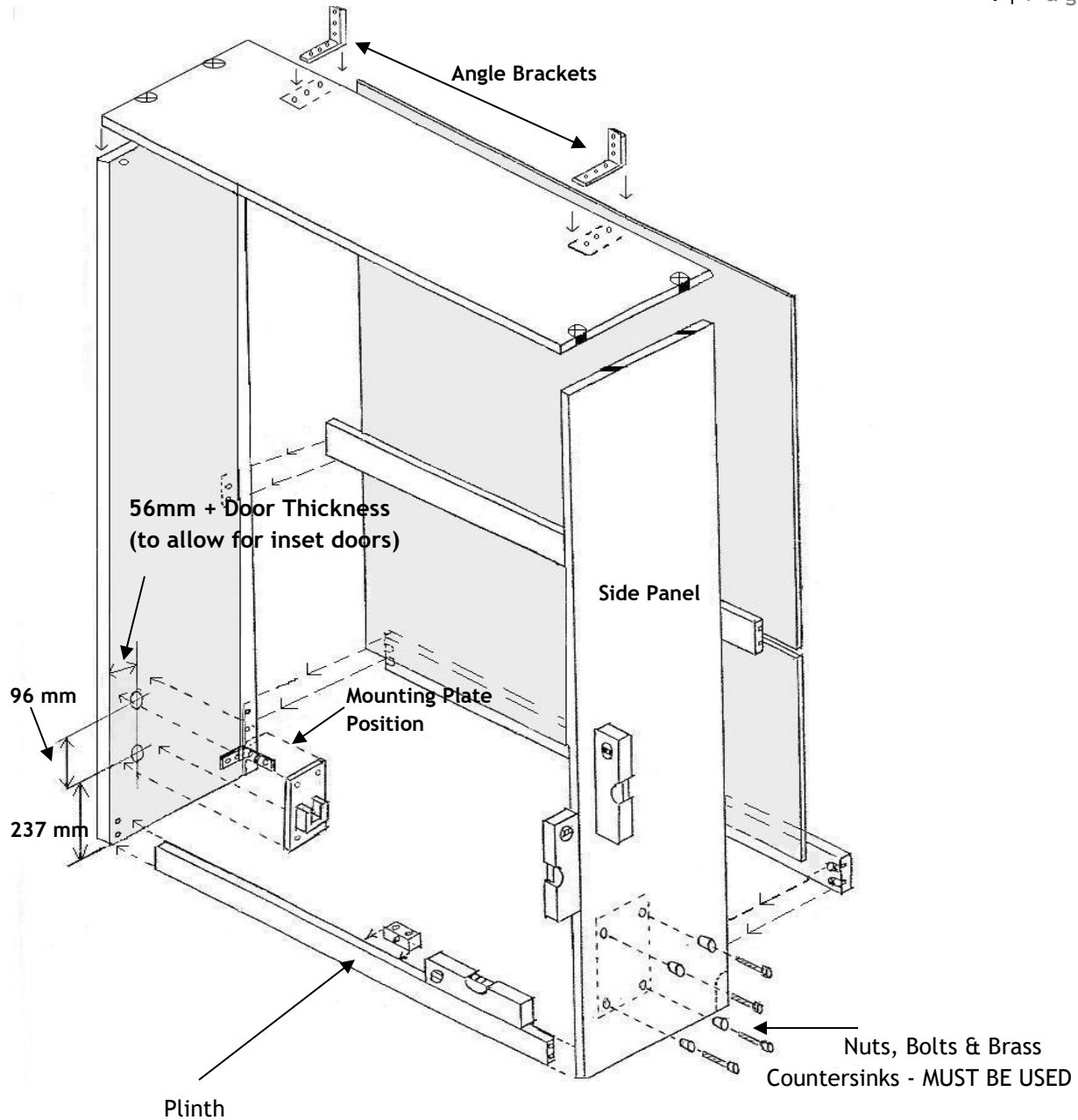
- For cabinet dimensions see the attached drawings.
- The cabinet should be made from 18mm thick panels
- Cabinet widths are indicated on the attached drawings and obviously vary with bed size, but the internal measurement must always be 64mm wider than the bed frame to accommodate mechanisms and mountings.

## Bed Mechanism & Cabinet Assembly

1. Assemble cabinet as shown on attached drawings. We recommend inset doors, but if your cabinet is to have face fitting doors then either the lower corners of the doors or lower part of the cabinet needs to be cut away to allow the head of the bed to swing into cabinet.
2. **IMPORTANT:** Always make sure that the cabinet is securely fastened to the wall and to adjoining cabinets, if possible. All wall bed and cabinet fixations must be regularly checked. Face fitted doors require additional side panels for extra strength if not attached to other cabinets.
3. Mount the doors of the cabinet onto the sub frame (the underside of the bed frame). In order to position the doors on the CMVOBT system you must align them centrally in relation to the frame with the bottom of the doors flush with the bottom of sub frame.
4. The bed can now be mounted in the cabinet. The cast iron mounting plates are supplied with nuts, bolts and brass countersinks and **MUST** be used; the brass countersinks are to be set into the outside of the side panels to provide extra bearing strength - when the bed is under tension these are the points of most stress. The position of these plates in the cabinet is another important dimension (see page 2). Slacken the mechanism adjusters (anti clockwise) and ensure that the Allen bolts on the mechanisms are slackened (see page 3). Now mount the bed and headboard assembly within the cabinet. Slight adjustment of the level of the bed from left to right can be achieved with the Allen bolts in the mechanism lugs.
5. Now your cabinet is assembled and attached to the wall the headboard arrangement can be assembled. This is a simple arrangement but important for safety by stopping 'things' falling down behind if the bed is lifted. N.B. It may not be possible to have a headboard arrangement if you are using the minimum depth of cabinet. A board slightly higher than the mattress, chamfered at the top edge is bolted to the bed frame. The chamfered end can then be attached to another chamfered edge board with a piano hinge, allowing it to run up and down automatically (see page 6)

## Adjusting the Bed Mechanism

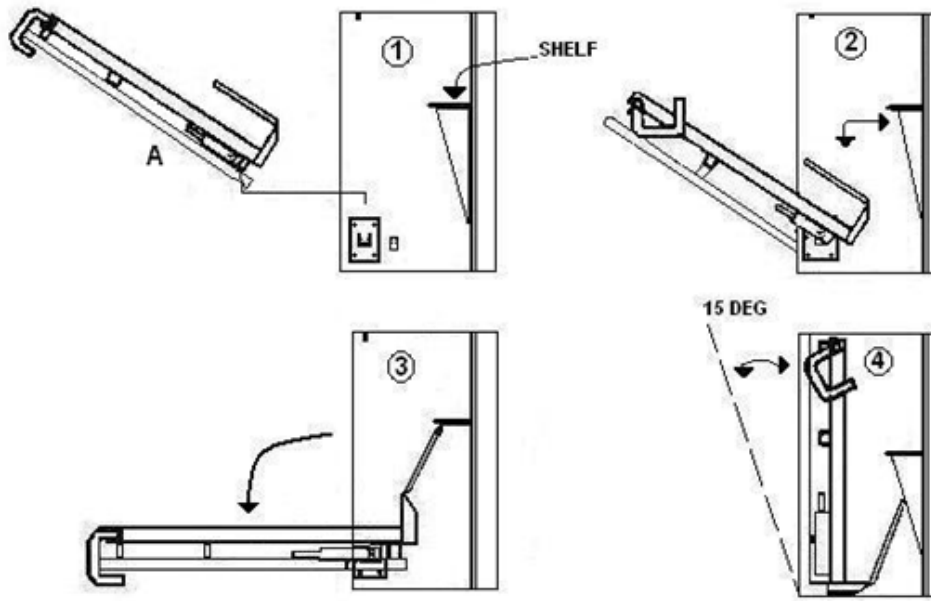
When the bed is under tension it will hold the doors tight to the cabinet or door stops. The mattress and doors must be on the bed for adjustment. Checking the cabinet is securely fixed to the wall, adjust the mechanism with the bed slightly out (see page 3) tighten, hand tight evenly each side. Then using 24 mm socket and ratchet (or similar) tighten the mechanisms again two or three turns. The weight of the mattress and doors will determine the adjustment needed, but the aim is for smooth light action (note - sometimes springs will creak when settling).



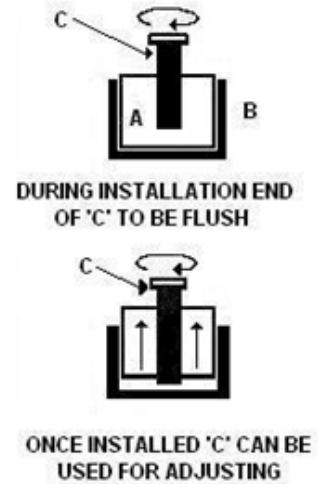
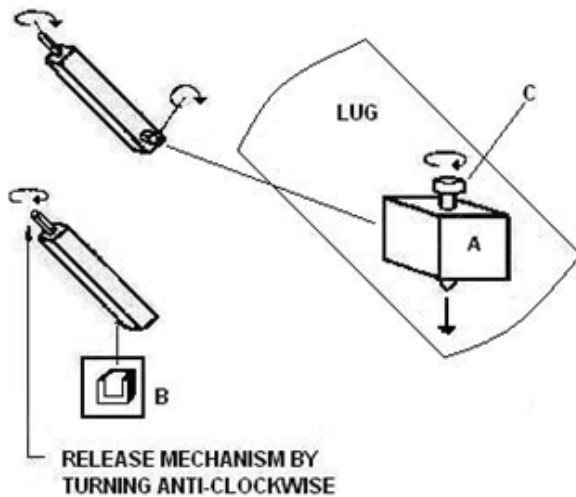
Please note all dimensions are in MM and the 140 cm bed dimensions in brackets - not to scale

- Overall Height 2050
- Internal Height 2032
- Minimum cabinet depth 500
- Door panel(s) 1925 x 960 (1460)
- Plinth 105 mm
- Internal cabinet width 964 (1464)
- Use level to square the cabinet(s)

**FOLDAWAY (CMVOBT 90/140 X 190)**

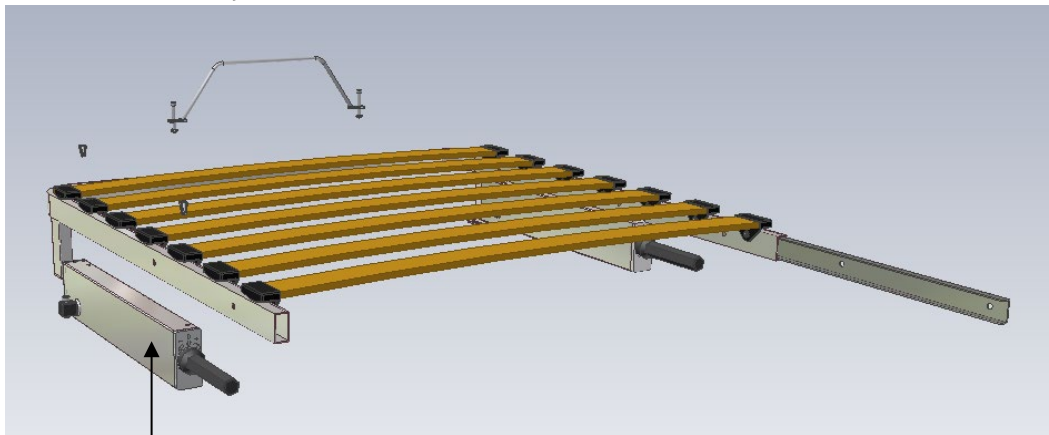


**TENSION MECHANISM AT APPROXIMATELY 15 DEG ANGLE -  
MATTRESS & DOOR MUST BE ON THE BED**



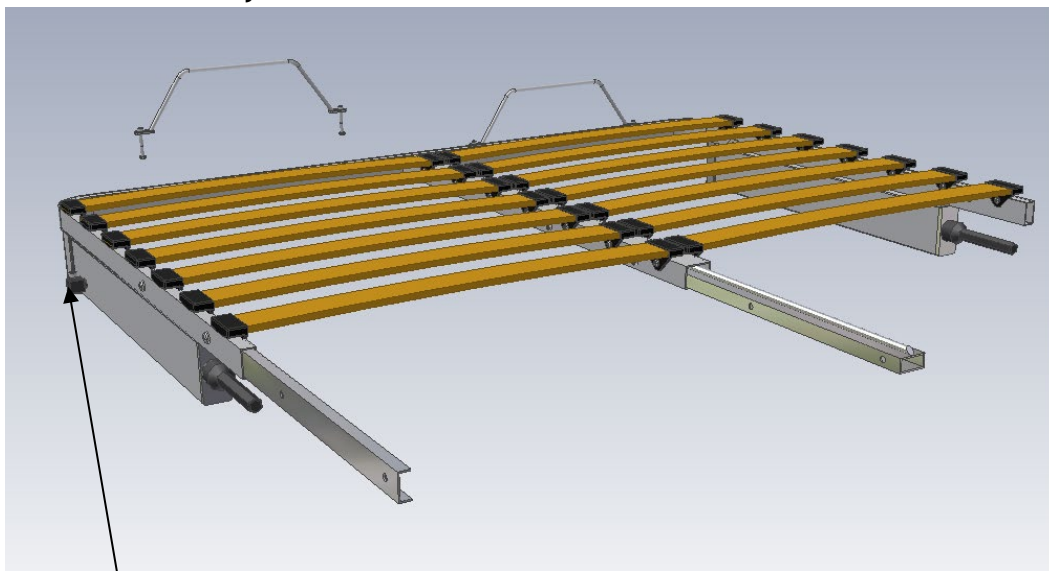
**PLEASE NOTE CABINET MUST BE SECURELY FIXED TO THE WALL -  
THESE DRAWINGS ARE GUIDES ONLY**

**Single Bed Frame Assembly**



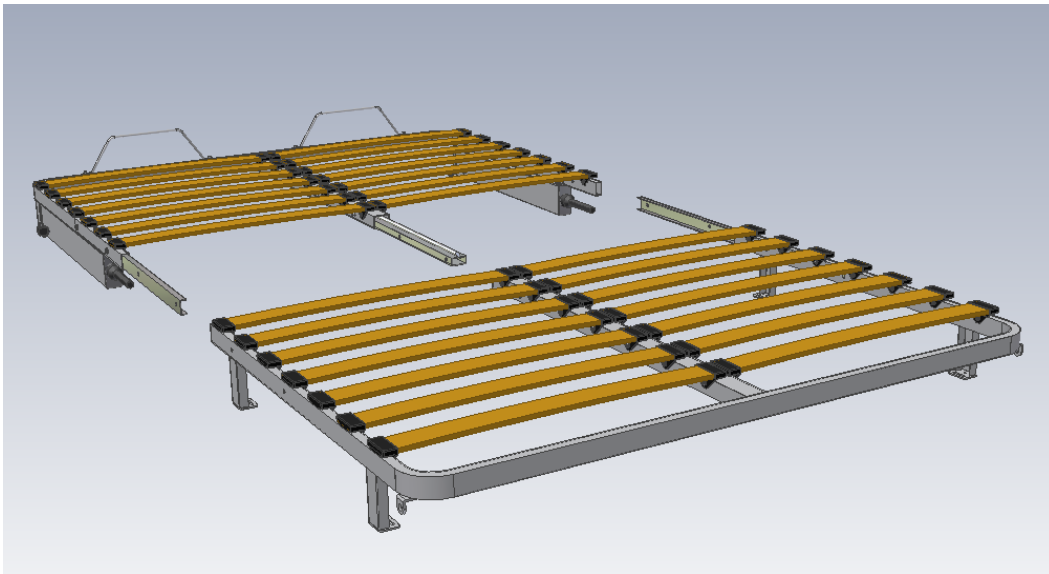
**Mechanism**

**Double Bed Frame Assembly**

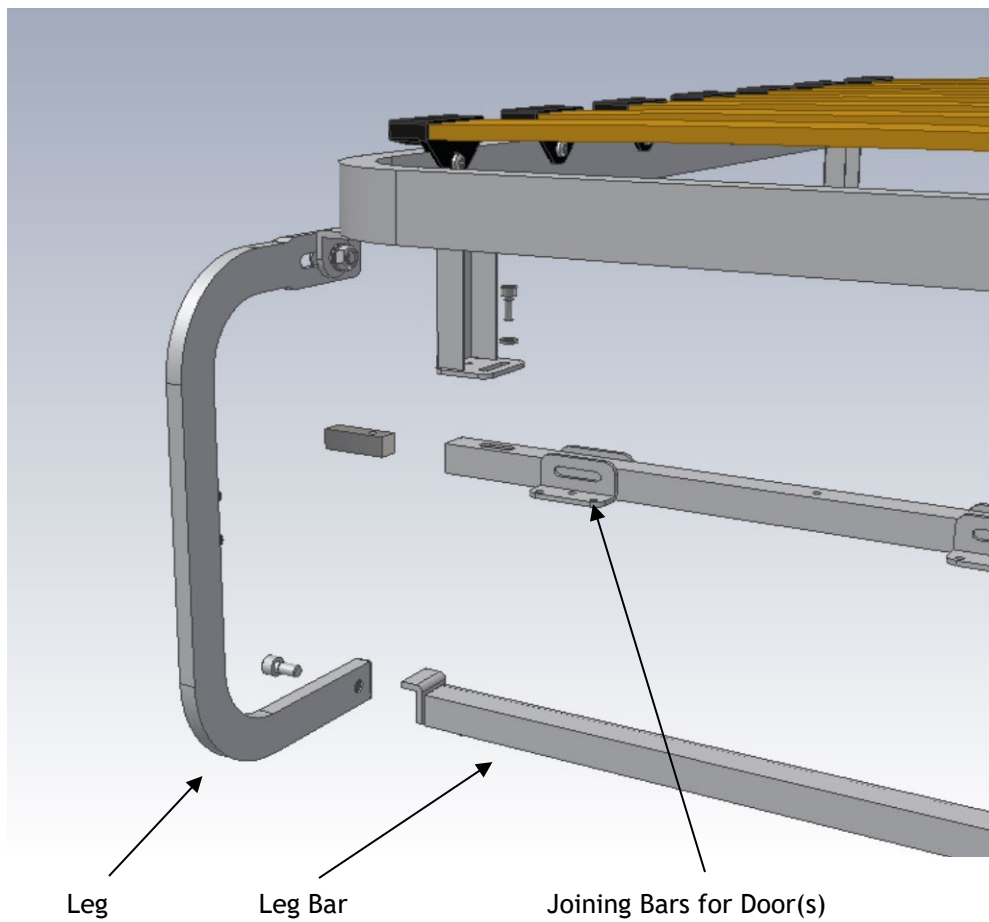


**Lug**

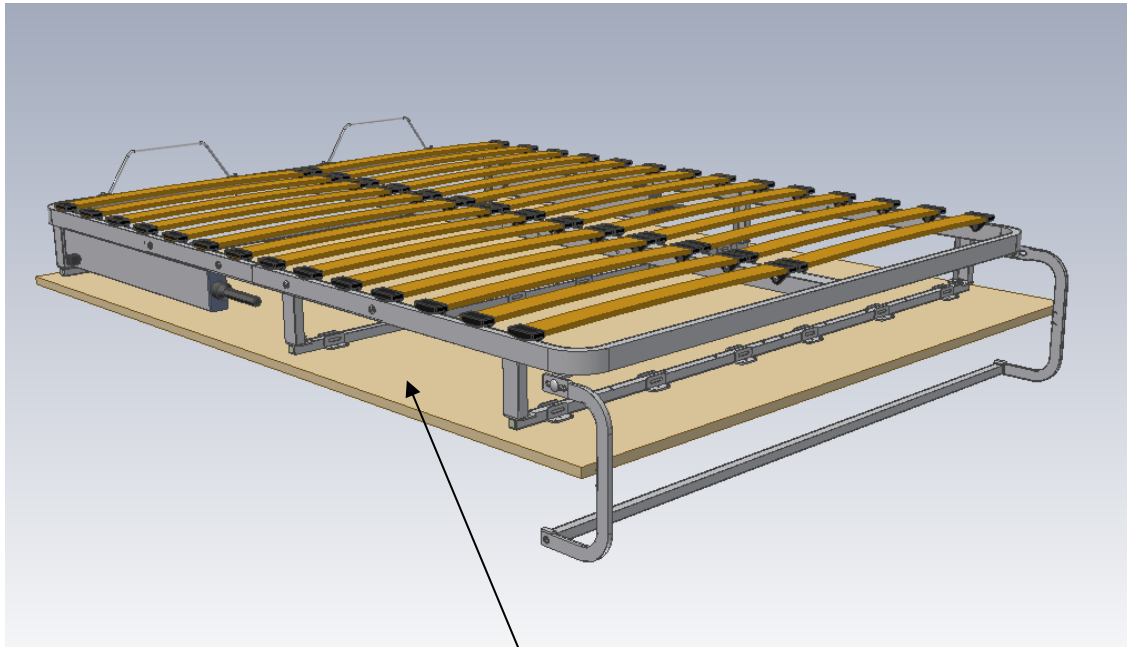
**Double Bed Frame Assembly**



**Bed Frame Manual Leg Assembly**



**Bed Frame & Door Assembly**



**Door**



### Headboard Arrangement For An Integrated Cabinet

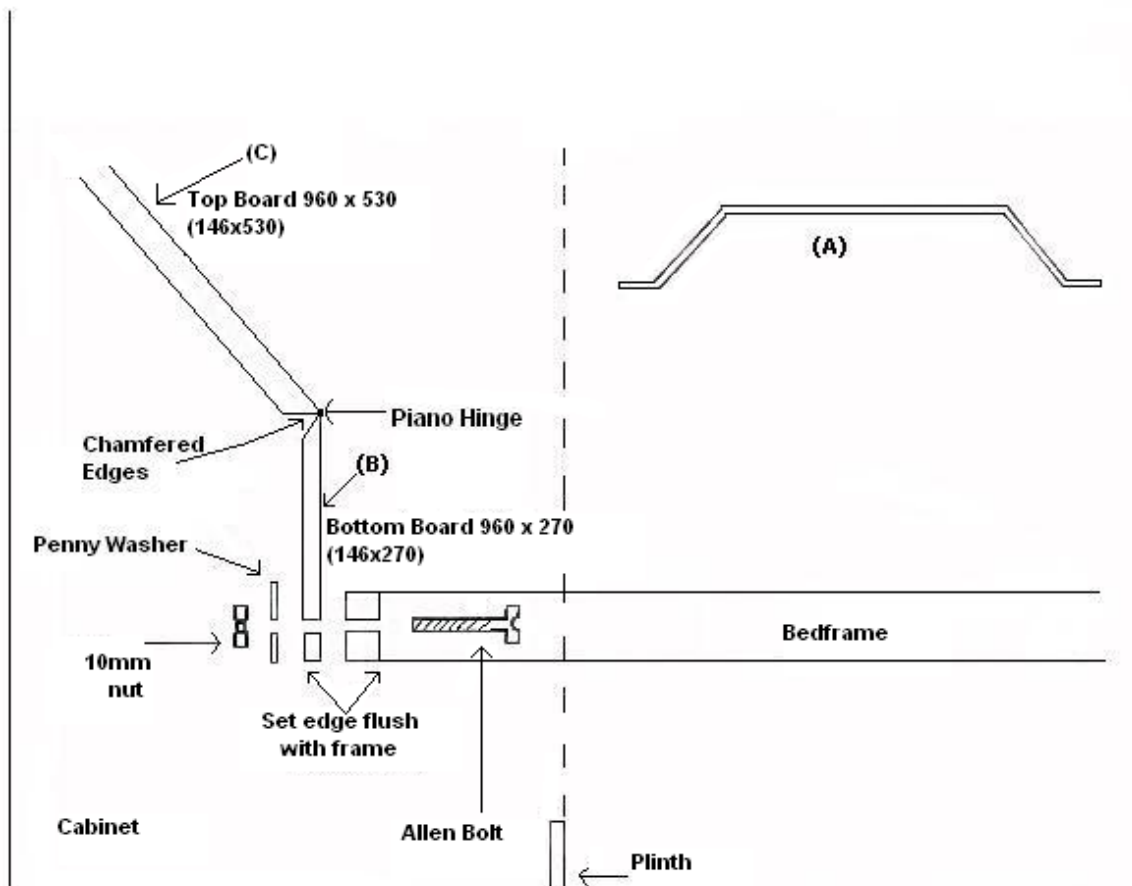
Please note headboard arrangement and fixings are not supplied. The headboard arrangement is intended as a guide based on our suggested cabinet depth. Headboard dimensions are noted below (double dimensions in brackets).

All bed frames are supplied with mattress support bars (A) but these are to be disregarded where a headboard will be in use - **please retain the Allen bolts and nuts for re-use.**

The bed frame will need to be held at the foot end in the horizontal position by another person whilst attaching the headboard arrangement and the smaller panel (B) of the preassembled headboard is to be bolted to the bed frame head therefore remove some of the slats at the head of the bed to allow better access for this.

#### Suggested method

Place the headboard into the position shown (the angled cut at the back). Align the headboard (C) with the cabinet sides with a 1 mm gap each side. Clamp the small panel (B) to the head of the bed-frame so the bottom edge of the panel is in line with the bottom edge of the bed-frame. Drill through the metal bed-frame and headboard panel with a 6 mm metal drill. Push the Allen bolts through the holes and place a penny washer behind the headboard panel and tighten the 10 mm nut onto the back. Replace the bedding slats and test to sure free movement when folding the bed.



### Important Safety Information:

- The bed should only be operated by an adult.
- Due to the risk of entrapment, children should not play with the bed in the sleeping or stored positions.
- Ensure the bed cabinet is securely fixed to the wall (and adjoining units) before pulling the bed down.
- Always manually control the bed by maintaining hand contact with the bed frame whilst in ascent and descent. Do not let the bed drop freely or slam when opening / closing.
- Fasten your bedding to the mattress using the straps, and secure to the bed before closing the cabinet. Ensure that no bedding is protruding, as it may cause damage to the mechanism. Secure the pillow under the foot strap.
- Do not remove the mattress whilst the bed is in the horizontal position, unless the bed frame is being held by another person.
- Bed and cabinet should be checked regularly for signs of wear.
- If you are relocating the bed, do not remove any of the fixings until the bed is in a vertical position. Bed relocation is best done by a qualified fitter.
- Adjustable mechanisms should not be tampered with unless by a qualified fitter.

*We employ a policy of continuous development and therefore reserve the right to alter specifications or illustrations in this manual at any time.*

Fitted By:

Tel No:

Date: