



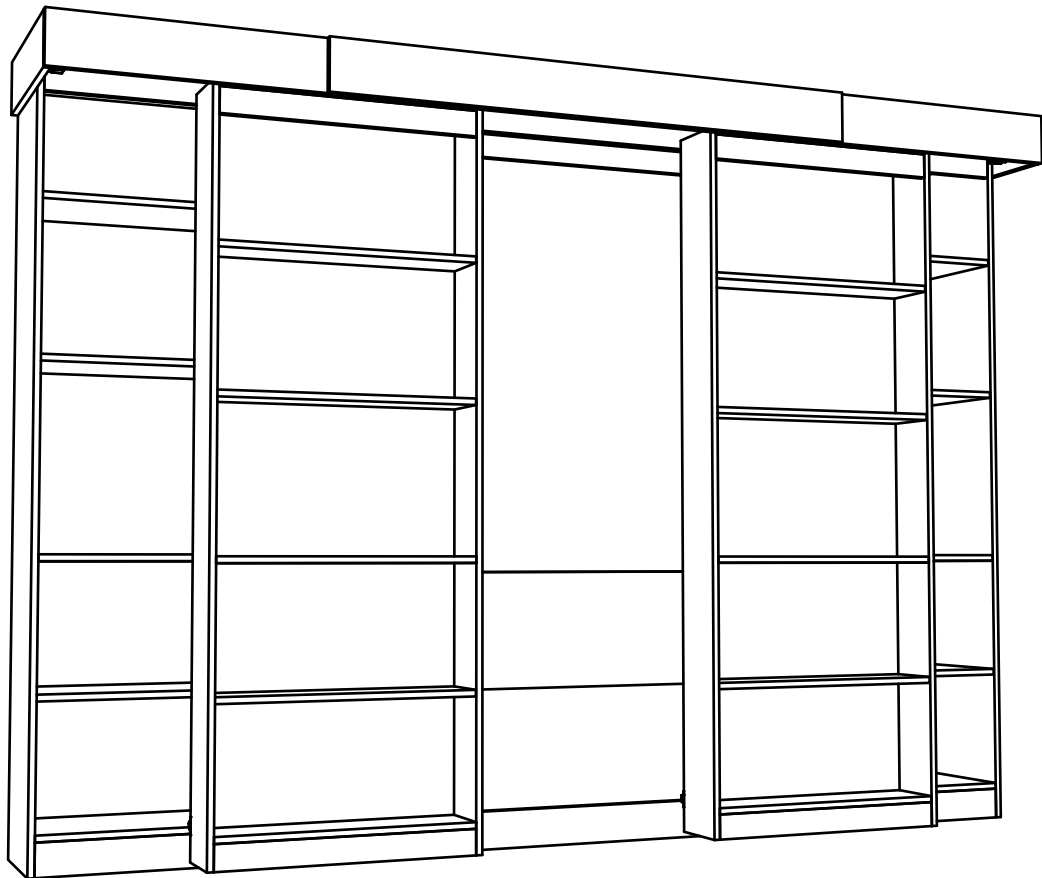
MWBS

MURPHY
WALLBED
SYSTEMS
INC.

MURPHY®

Library Bed - Model # BC-2 Hardware

Cabinet Cut List - Assembly Procedure and Sequence



Fits all Single, Double & King Beds


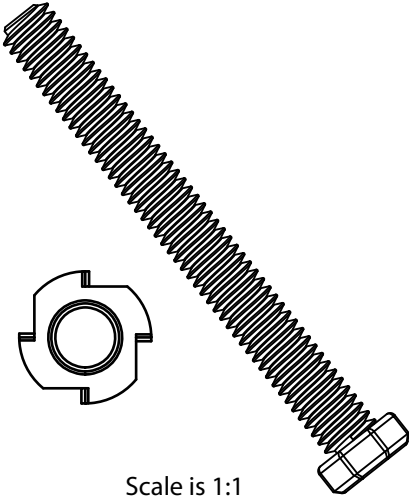

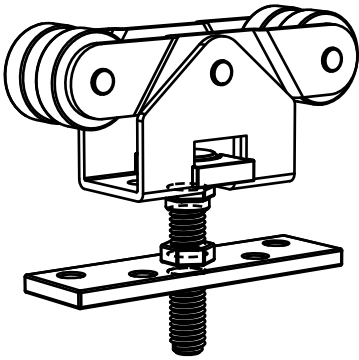
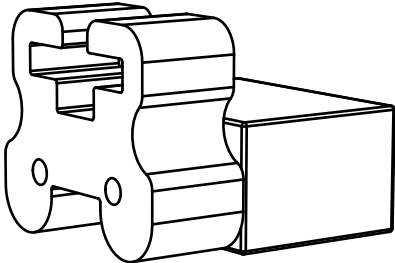
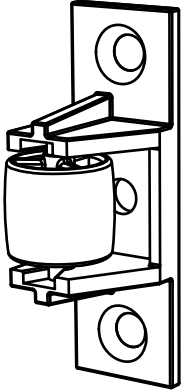
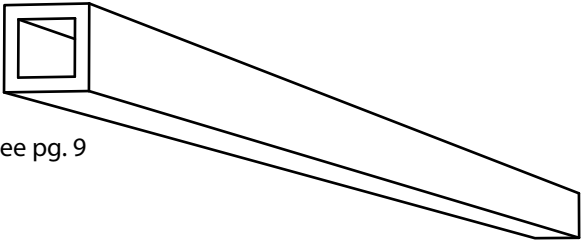
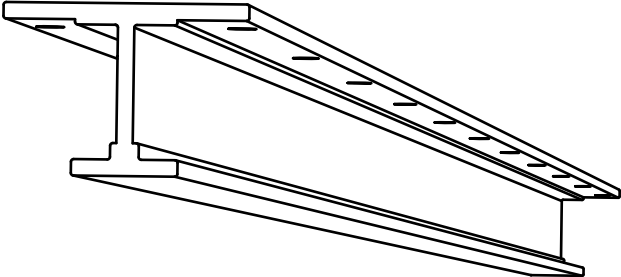
© 2017 Murphy WallBed Systems Inc.

2650 N. Lakeview #308
Chicago, IL 60614

Toll Free: 877-887-1717
Phone: 773-248-5188
Fax: 773-281-6430

BC-2 Sliding Bookcase

Hardware Components List

<p><u>#10 x 3/4" Pan Head Square Screw</u> See pgs. 8,13,16 (attach AL Rail and Nylon Carriers)</p>  <p>Scale is 1:1</p>	<p><u>3" x 5/16" Bolt & T-Nut Washer</u> See pg. 8 (attach steel tube)</p>  <p>Scale is 1:1</p>	<p><u>#6 x 5/8" Flat Head Phillips Screw</u> See pg. 14 (attach Bottom Roller Guide)</p>  <p>Scale is 1:1</p>
<p><u>4-Wheel Nylon Carrier</u> See pg. 13 for mounting information</p>  <p>*Image is not to scale*</p>	<p><u>AL Extrusion/Rubber Bumper</u> See pg. 10</p>  <p>*Image is not to scale*</p>	<p><u>Bottom Roller Guide</u> See pg. 14</p>  <p>*Image is not to scale*</p>
<p><u>Steel Tube</u> (0.1 x 1.5 x 1.5 x 64") / (2.5 x 38 x 38mm x 1.63m) 2 Through Holes</p>  <p>See pg. 9</p> <p>*Image is not to scale*</p>	<p><u>AL Rail Extrusion</u> (L: 63",1.6m) See pg. 9</p>  <p>*Image is not to scale*</p>	

STEP #1

BED CABINET COMPONENTS

NOTE: Before you start any assembly: Sort all parts of the five cabinets. Separate each cabinet and check to make sure you have the correct number of parts of the correct size.

SINGLE SIZE - MURPHY BED CABINET

#	PART	WIDTH	LENGTH
1	Right End	14 7/8"	85"
2	Left End	14 7/8"	85"
3	Front Toe	4 1/2"	41"
4	Headboard	14 7/8"	41"
5	Valance (2)	3"	41"
6	Top	14 7/8"	41"
7	Library Top	24"	42 1/2"
8	Front Valance	6 1/4"	42 1/2"
9	Nailer	6 1/4"	45 1/2"
10	Steel Support	1 1/2" x 1 1/2"	64"

DOUBLE SIZE - MURPHY BED CABINET

PART	WIDTH	LENGTH	
1	Right End	14 7/8"	85"
2	Left End	14 7/8"	85"
3	Front Toe	4 1/2"	56"
4	Headboard	14 7/8"	56"
5	Valance (2)	3"	56"
6	Top	14 7/8"	56"
7	Library Top	24"	57 1/2"
8	Front Valance	6 1/4"	57 1/2"
9	Nailer	6 1/4"	60 1/2"
10	Steel Support	1 1/2" x 1 1/2"	64"

KING SIZE - MURPHY BED CABINET

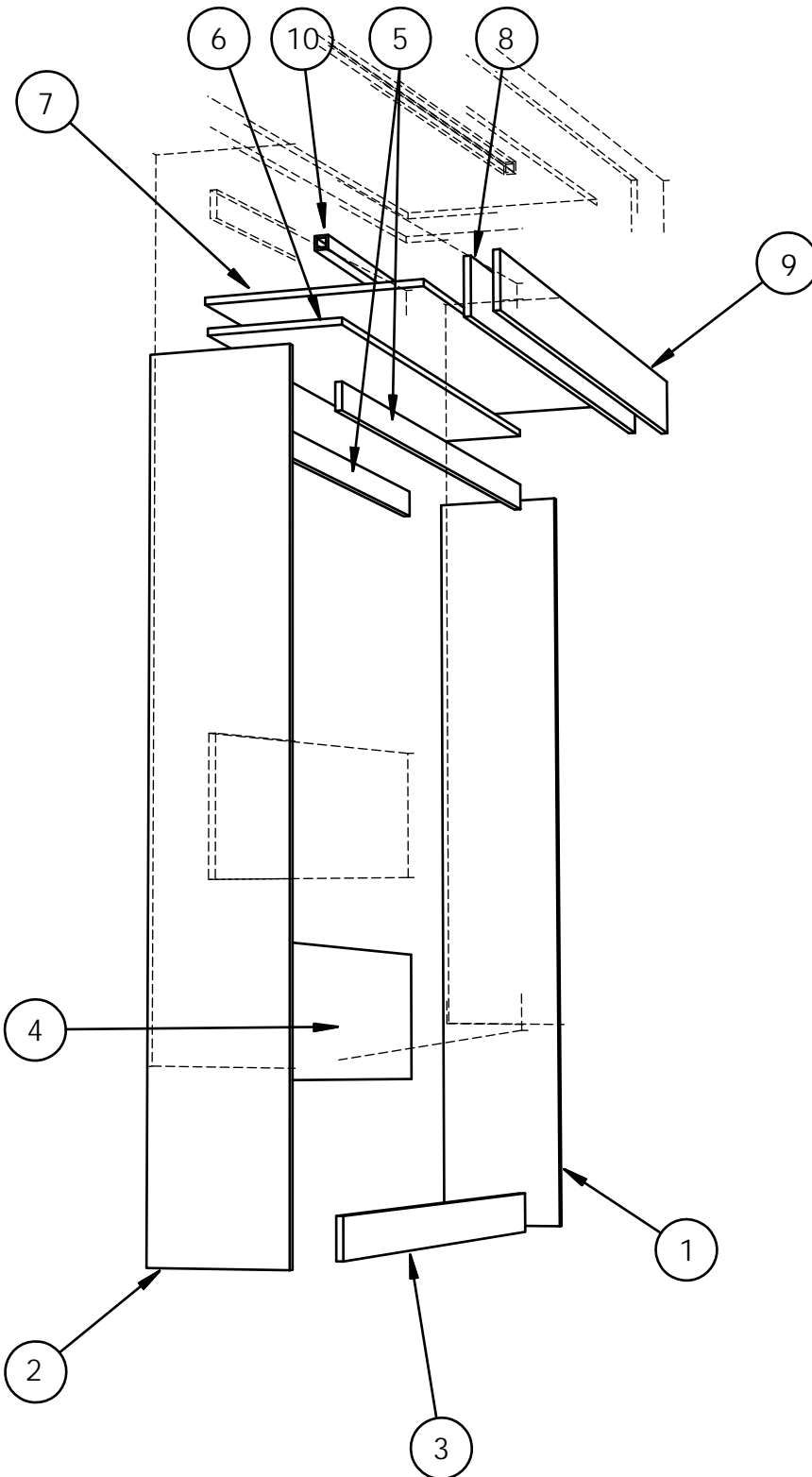
PART	WIDTH	LENGTH	
1	Right End	14 7/8"	90"
2	Left End	14 7/8"	90"
3	Front Toe	4 1/2"	62"
4	Headboard	14 7/8"	62"
5	Valance (2)	3"	62"
6	Top	14 7/8"	62"
7	Library Top	24"	63 1/2"
8	Front Valance	6 1/4"	63 1/2"
9	Nailer	6 1/4"	66 1/2"
10	Steel Support	1 1/2" x 1 1/2"	64"

STEP #1

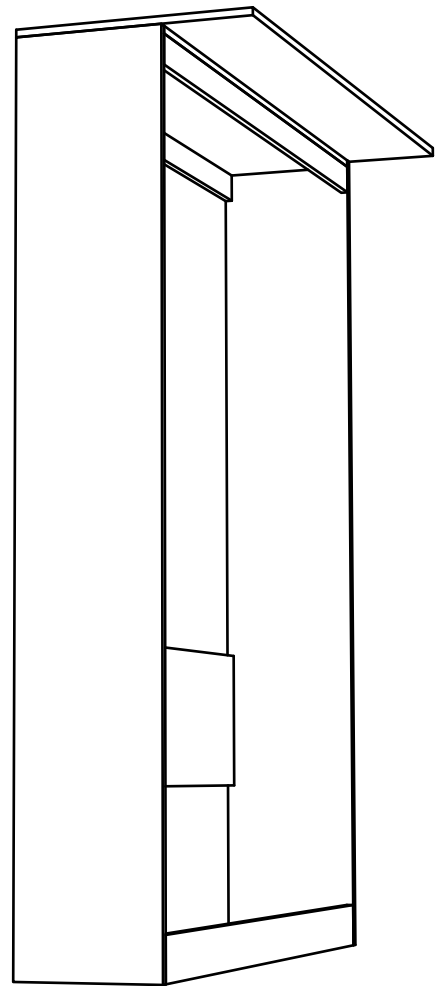
BED CABINET ASSEMBLY

Assemble parts #1-#7. Note that the Top (#6) is assembled between (#2) and (#1). Part (#7) is fastened to the top of the whole assembly.

NOTE: Do not assemble parts #8, #9 or #10 at this time.



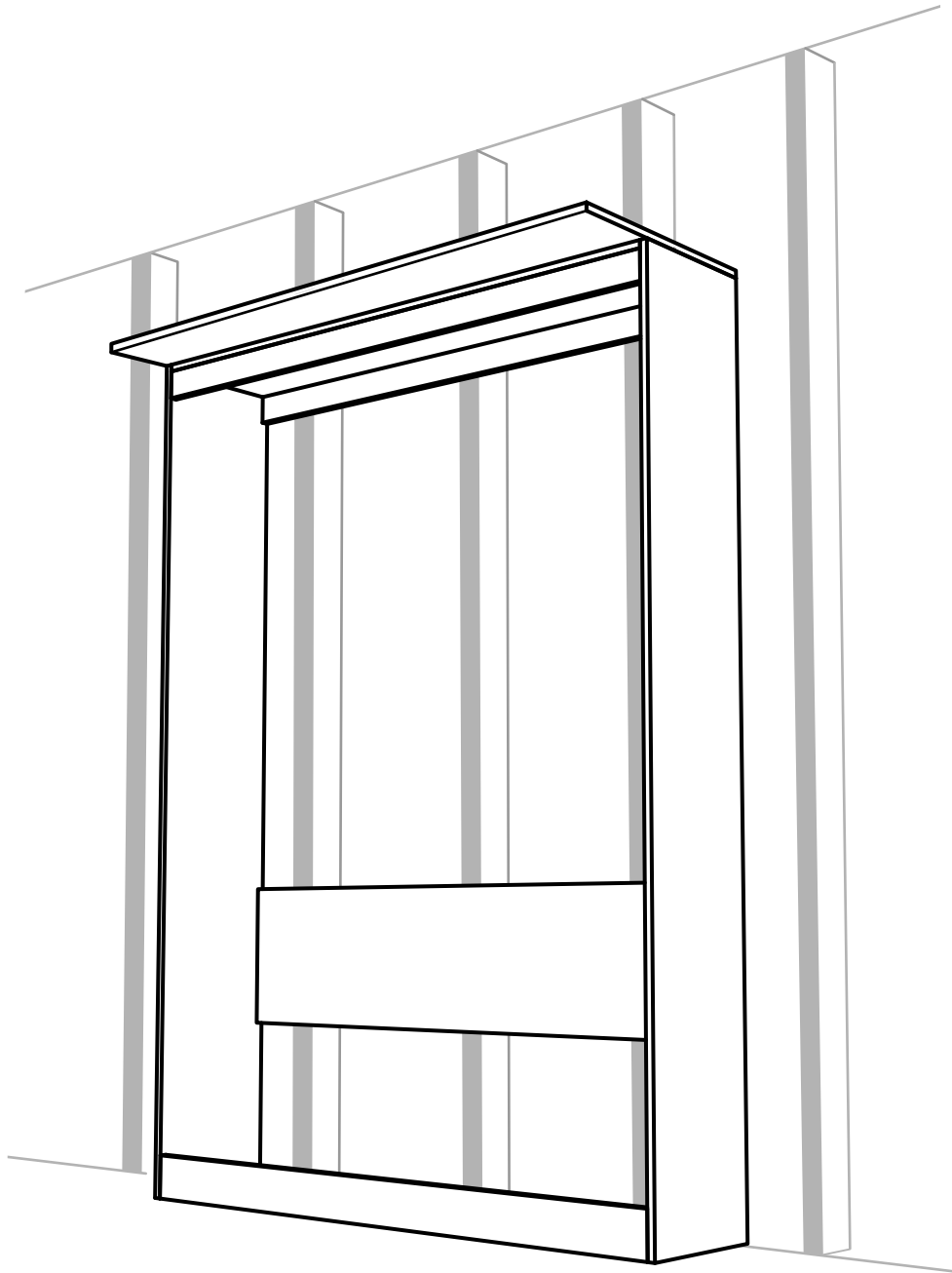
Assembly of parts #1-#7 are shown below.



STEP #2

BED CABINET POSITIONING

Position Bed Cabinet to wall - Loosely attach to studs with #8 x 3" wood screws. Be sure to locate at least three wall studs for secure attachment.



STEP #3

SIDE CABINET COMPONENTS; LEFT AND RIGHT

SINGLE SIZE - MURPHY BED SIDE CABINET

#(L)	#(R)	PART	WIDTH	LENGTH
11	11	Right End	14 7/8"	85"
12	12	Left End	14 7/8"	85"
13	13	Front Toe	3 13/16"	19 3/4"
14	14	Deck	14 7/8"	19 3/4"
15	15	Horizontal Partition	14 7/8"	19 3/4"
16	16	Adjustable Shelf (3)	14 3/4"	19 3/4"
17	17	Valance	3"	19 3/4"
18	18	Top	14 7/8"	19 3/4"
19	19	Library Top	24"	21 1/4"
20	20	Front Valance	6 1/4"	22"
21	21	Side Valance	6 1/4"	24"

DOUBLE SIZE - MURPHY BED SIDE CABINET

#(L)	#(R)	PART	WIDTH	LENGTH
11	11	Right End	14 7/8"	85"
12	12	Left End	14 7/8"	85"
13	13	Front Toe	3 13/16"	27 1/4"
14	14	Deck	14 7/8"	27 1/4"
15	15	Horizontal Partition	14 7/8"	27 1/4"
16	16	Adjustable Shelf (3)	14 3/4"	27 1/4"
17	17	Valance	3"	27 1/4"
18	18	Top	14 7/8"	27 1/4"
19	19	Library Top	24"	28 3/4"
20	20	Front Valance	6 1/4"	29 1/2"
21	21	Side Valance	6 1/4"	24"

KING - MURPHY BED SIDE CABINET

#(L)	#(R)	PART	WIDTH	LENGTH
11	11	Right End	14 7/8"	90"
12	12	Left End	14 7/8"	90"
13	13	Front Toe	3 13/16"	30 1/4"
14	14	Deck	14 7/8"	30 1/4"
15	15	Horizontal Partition	14 7/8"	30 1/4"
16	16	Adjustable Shelf (3)	14 3/4"	30 1/4"
17	17	Valance	3"	30 1/4"
18	18	Top	14 7/8"	30 1/4"
19	19	Library Top	24"	31 3/4"
20	20	Front Valance	6 1/4"	32 1/2"
21	21	Side Valance	6 1/4"	24"

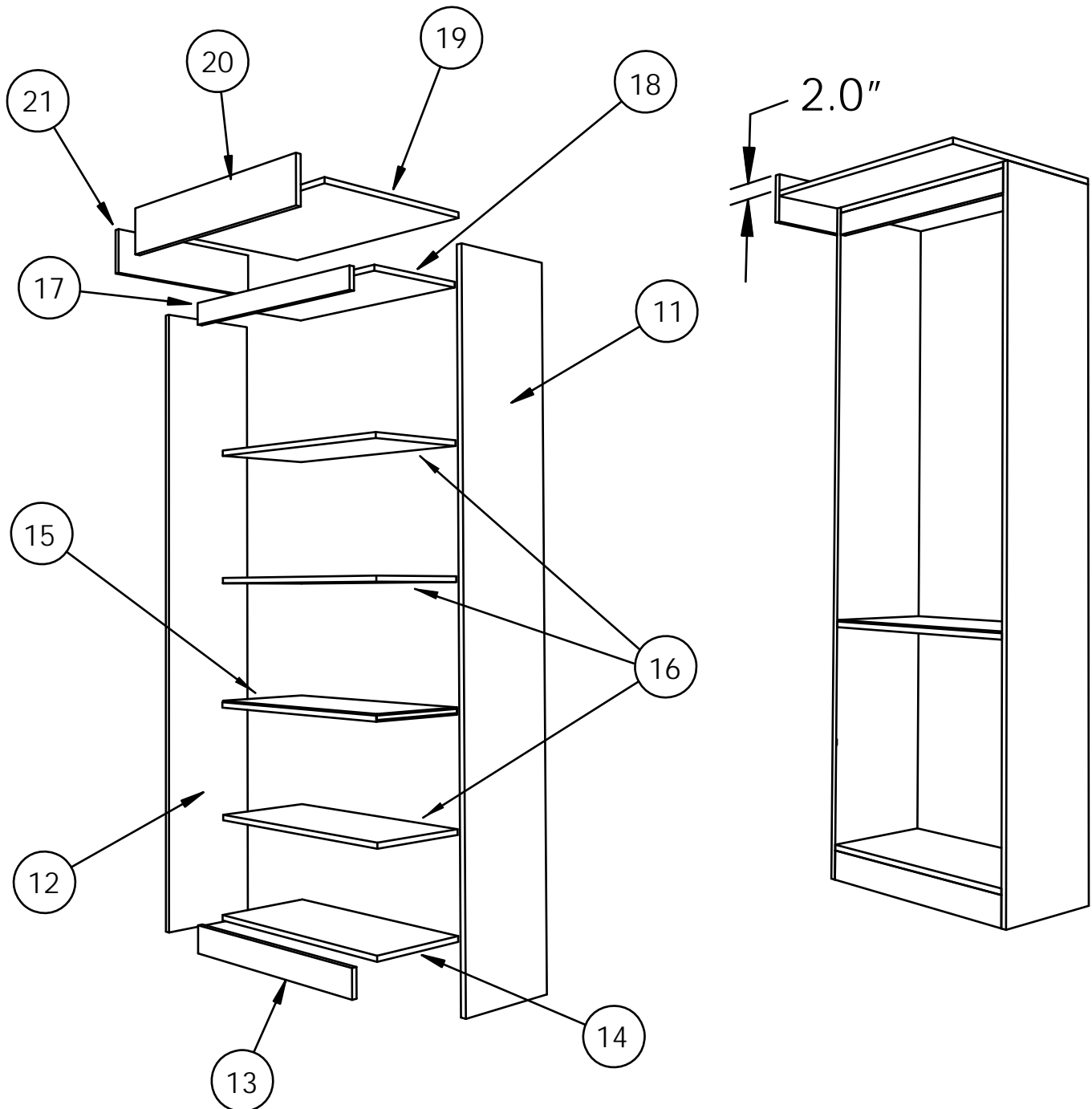
STEP #3

SIDE CABINET ASSEMBLY

Assemble parts #11, #12, #13, #14, #15, #17, #18, #19 and #21 as shown below.
NOTE: Parts #16 are adjustable shelves and will be added later.

Part #18 mounts between #11 and #12.

Part #20 will be added to assembly later.



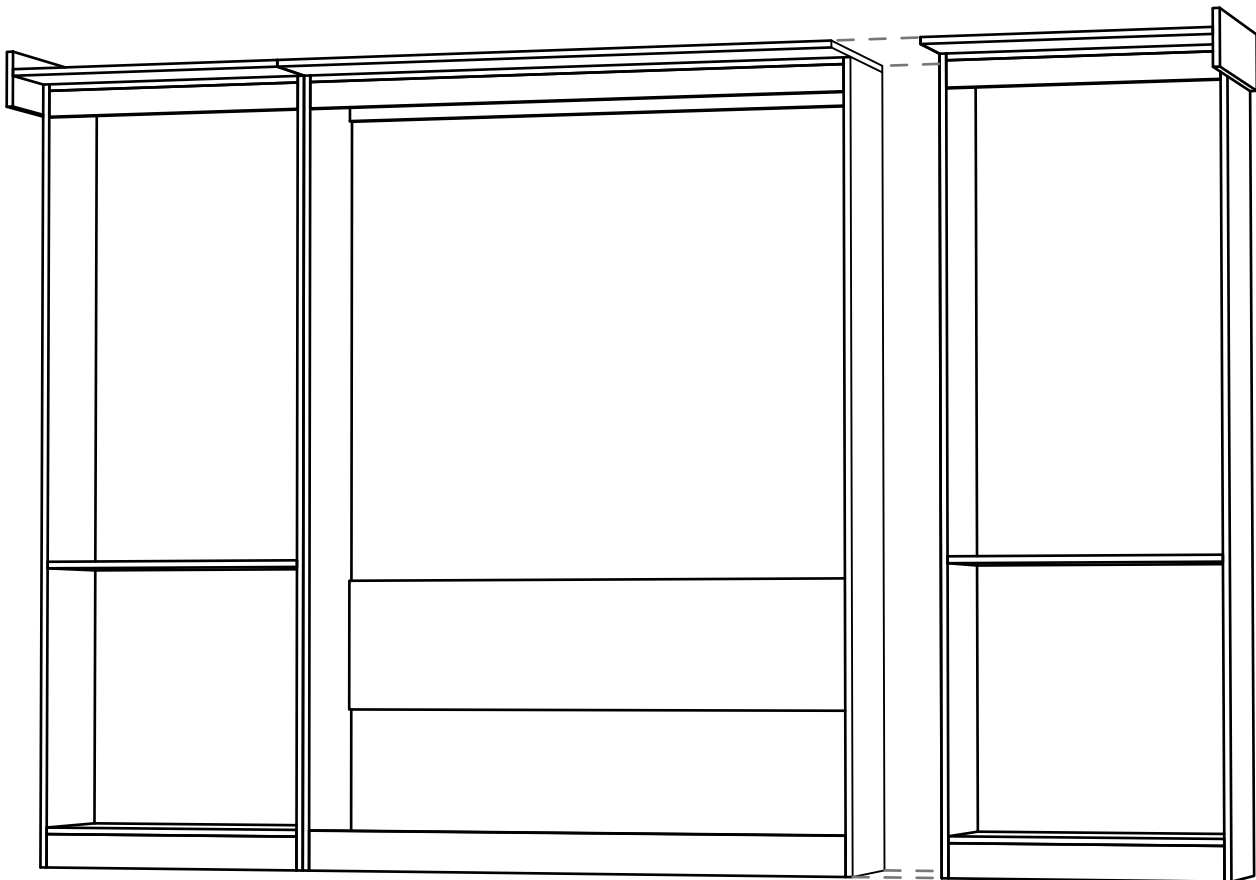
Note: Left and right sides are identical except for their top assemblies (Left shown).
Repeat assembly steps for the Right Side Cabinet.

STEP #4

SIDE CABINET POSITIONING

Position and secure Left and Right Side Cabinets to Bed Cabinet using #8 x 1¼" wood screws.

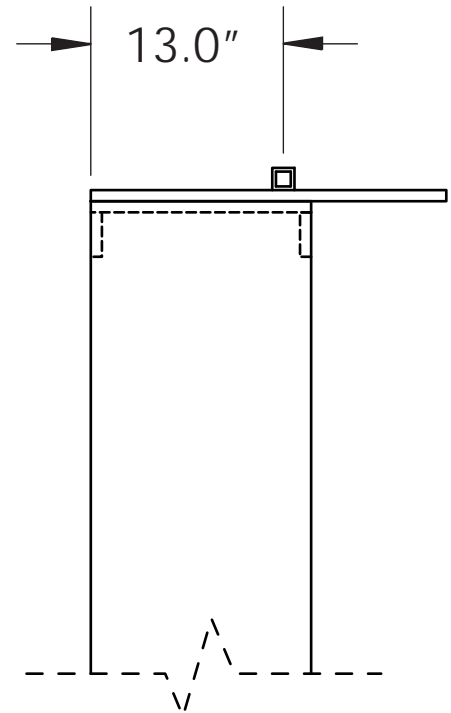
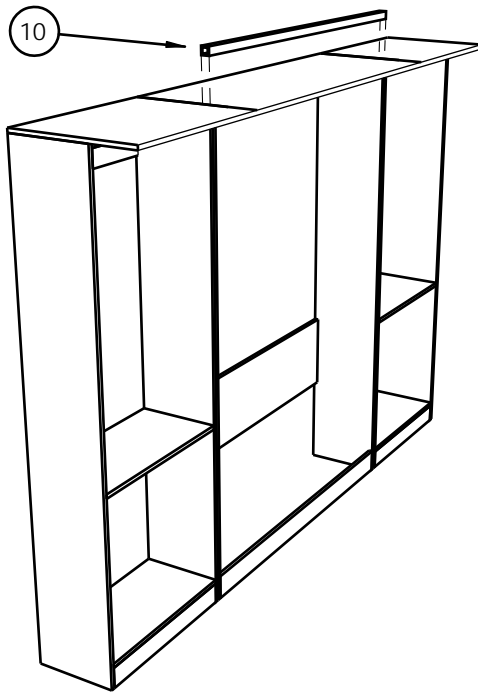
Square and level bed cabinet and left and right side cabinets. Make final secure attachment through the back of valance #5 of the Bed Cabinet using (3) #8x3" wood screws, into studs.



STEP #5

INSTALL STEEL SUPPORT

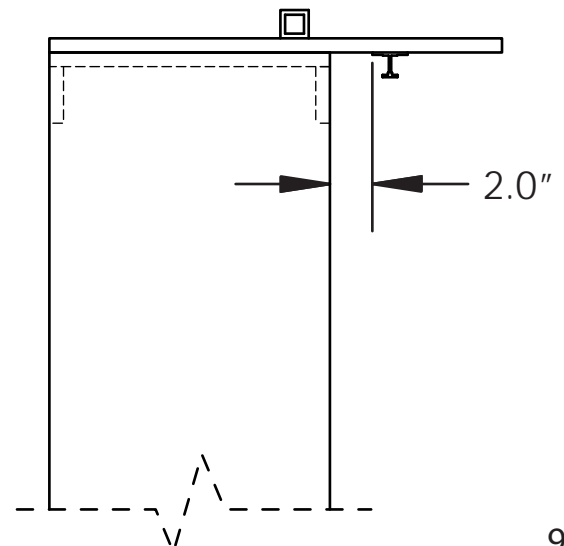
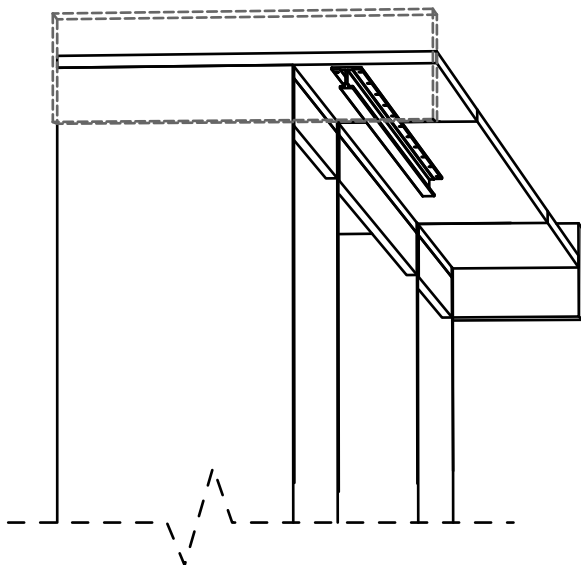
Fasten the square 1.5"x1.5" steel tube to the top of the assembly using the provided 3.0" bolts and T-nuts. The steel tube should be centered on top of the bed cabinet and bolt holes should be 13.0" from the wall. Use the holes in the tube to guide for drilling.



STEP #6

ATTACH LEFT SIDE ALUMINUM TRACK

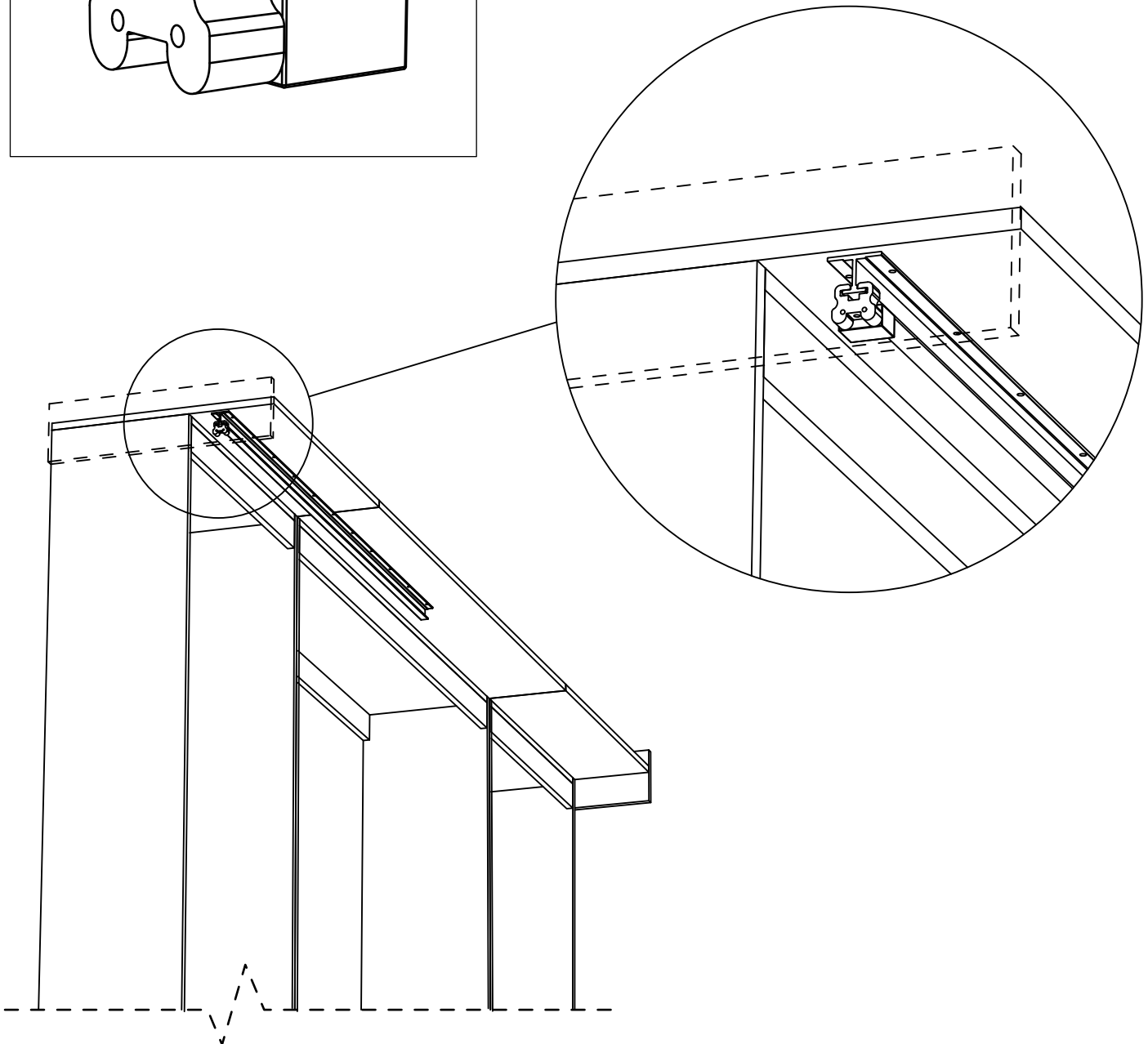
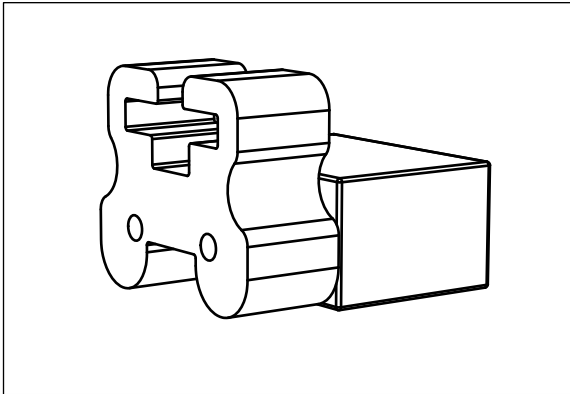
Position inside edge of track 2.0" from cabinet front as shown below. Right end of track should be centered with the bed cabinet. The aluminum tracks come as queen size; use a hacksaw to shorten them both *equally* to fit single or full size beds.



STEP #6

INSTALL LEFT END RUBBER SAFETY STOP

Slide one rubber safety stop to end of left track in position shown below. Loosely tighten to track with provided screws, you will tighten later.



STEP #7

SLIDING BOOK CASE COMPONENTS

NOTE: Two of each part are included for the identical left and right sliding cabinet assemblies.

SINGLE - SLIDING BOOK CASE

#	PART	WIDTH	LENGTH
22	Right End	8"	81 7/16"
23	Left End	8"	81 7/16"
24	Front Toe	3"	19 3/4"
25	Deck	7 1/4"	19 3/4"
26	Horizontal Partition	7 1/4"	19 3/4"
27	Adjustable Shelves	7 1/8"	19 3/4"
28	Valance	3"	19 3/4"
29	Top	7 1/4"	19 3/4"
30	Back	19 3/4"	81 7/16"

DOUBLE - SLIDING BOOK CASE

PART	WIDTH	LENGTH	
22	Right End	8"	81 7/16"
23	Left End	8"	81 7/16"
24	Front Toe	3"	27 1/4"
25	Deck	7 1/4"	27 1/4"
26	Horizontal Partition	7 1/4"	27 1/4"
27	Adjustable Shelves	7 1/8"	27 1/4"
28	Valance	3"	27 1/4"
29	Top	7 1/4"	27 1/4"
30	Back	27 1/4"	81 7/16"

KING - SLIDING BOOK CASE

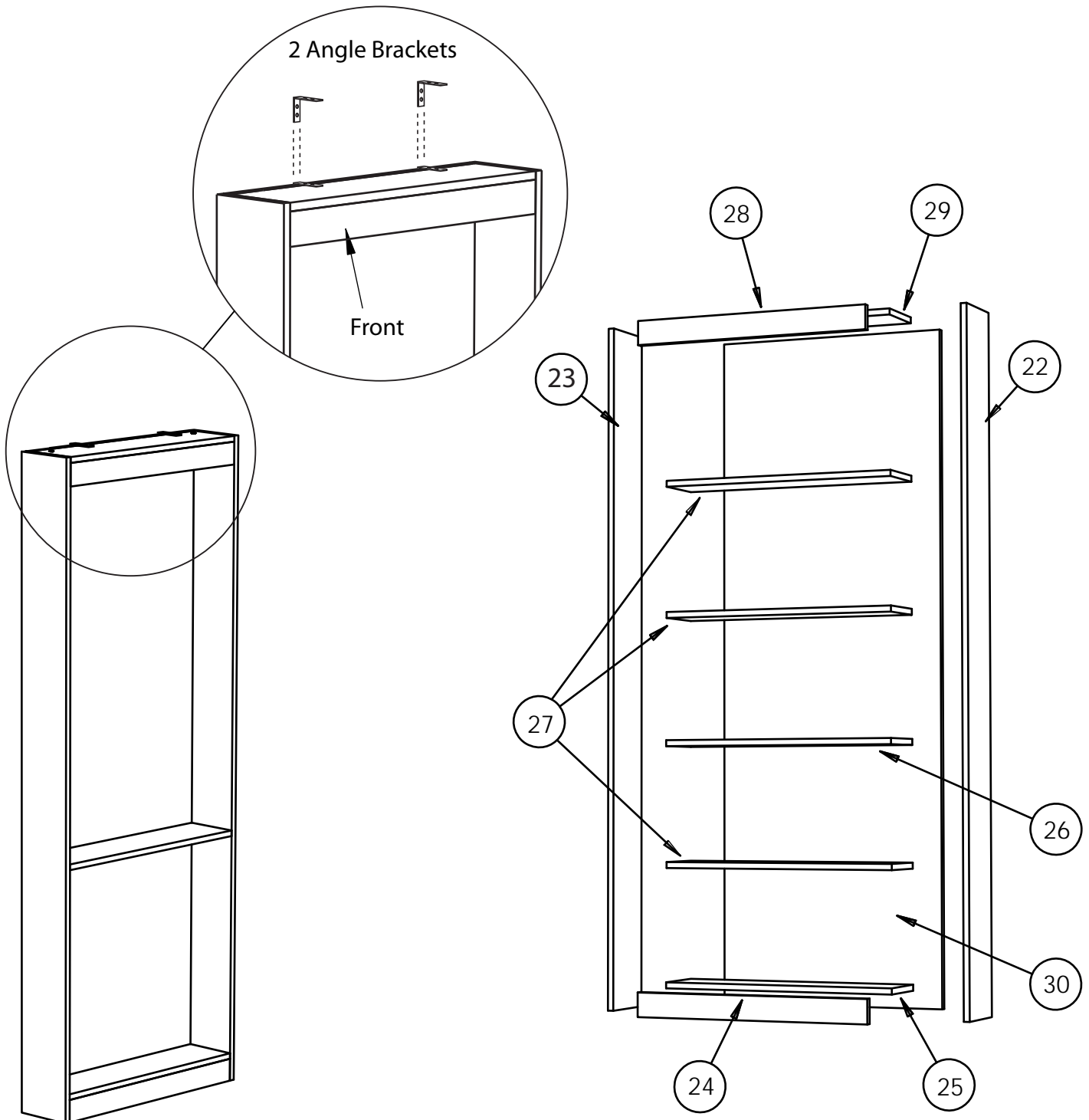
PART	WIDTH	LENGTH	
22	Right End	8"	86 7/16"
23	Left End	8"	86 7/16"
24	Front Toe	3"	30 1/4"
25	Deck	7 1/4"	30 1/4"
26	Horizontal Partition	7 1/4"	30 1/4"
27	Adjustable Shelves	7 1/8"	30 1/4"
28	Valance	3"	30 1/4"
29	Top	7 1/4"	30 1/4"
30	Back	30 1/4"	86 7/16"

STEP #7

SLIDING BOOKCASE VISUAL PART REFERENCE & ASSEMBLY

Assemble Left and Right Sliding Cabinets as shown below. Attach backs with 1 3/4" Wood Screws, from the back side, into 25, 26 and 29 (3 in each shelf). Fasten 2"x2" Angle Brackets over top back corner of 29 and 30 as shown below using 8x3/4" Flat Head Wood Screws. Brackets are not included.

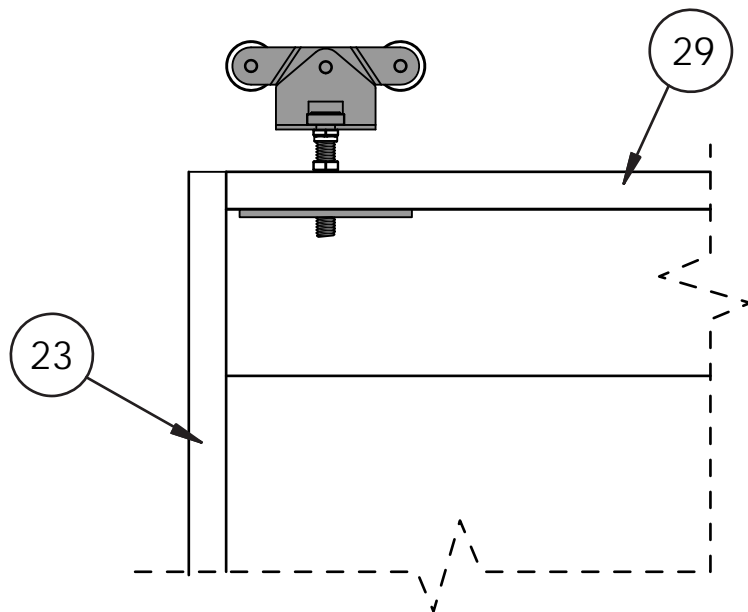
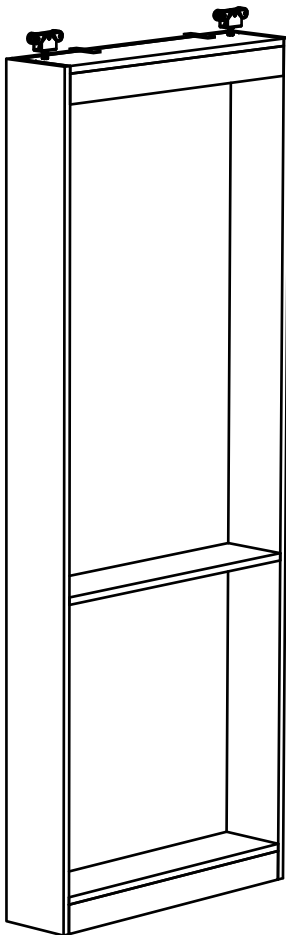
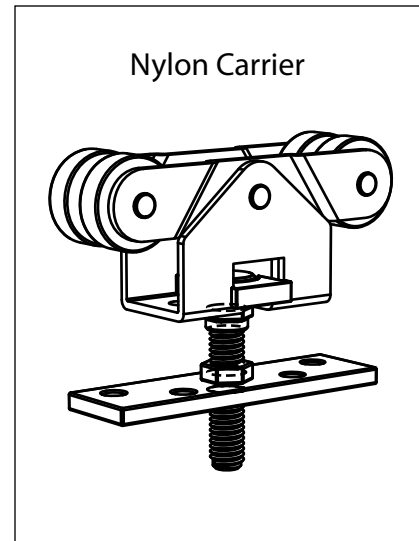
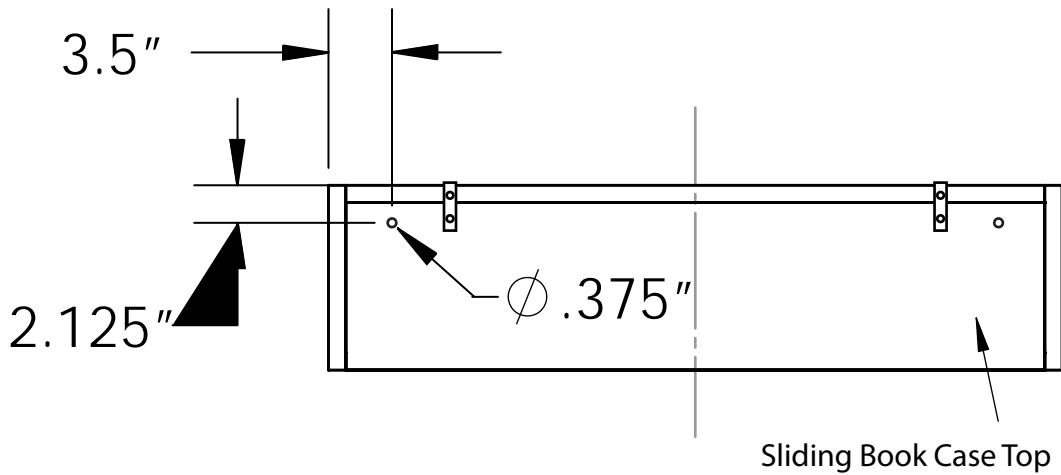
NOTE: Left and Right Sliding Cabinets are identical and have the same numbered parts. Do not place parts #27 at this time; the adjustable shelves will be added later.



STEP #7

INSTALL NYLON CARRIERS

Drill $\frac{3}{8}$ " holes in the tops of the Sliding Book Cases as shown below. Screw Nylon Carriers through the top, into the threaded plates. Do not tighten nuts at this point.

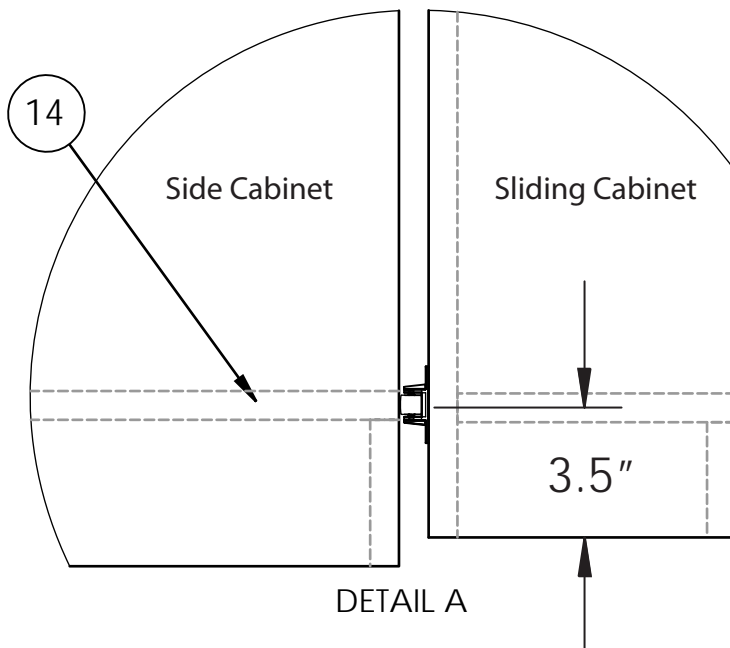
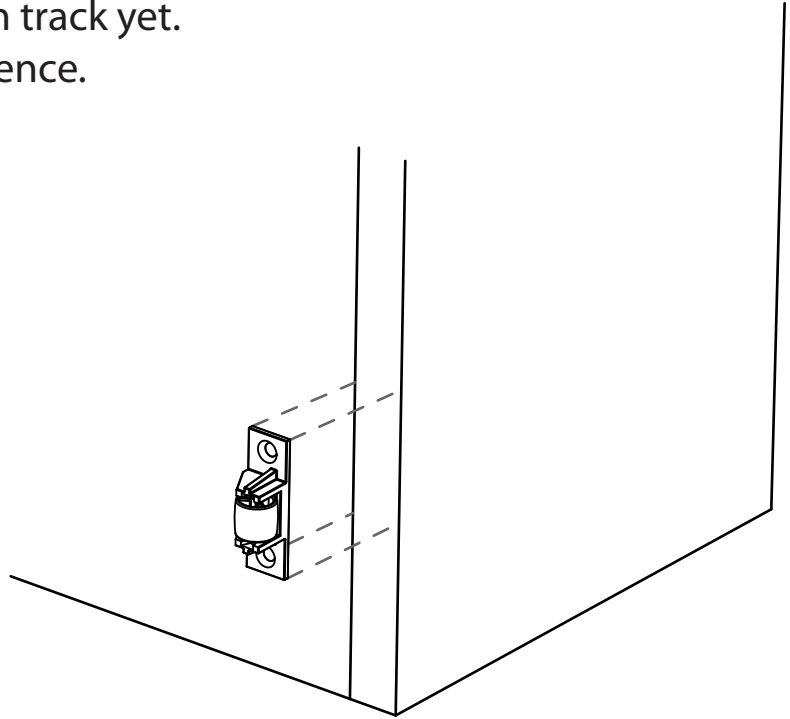
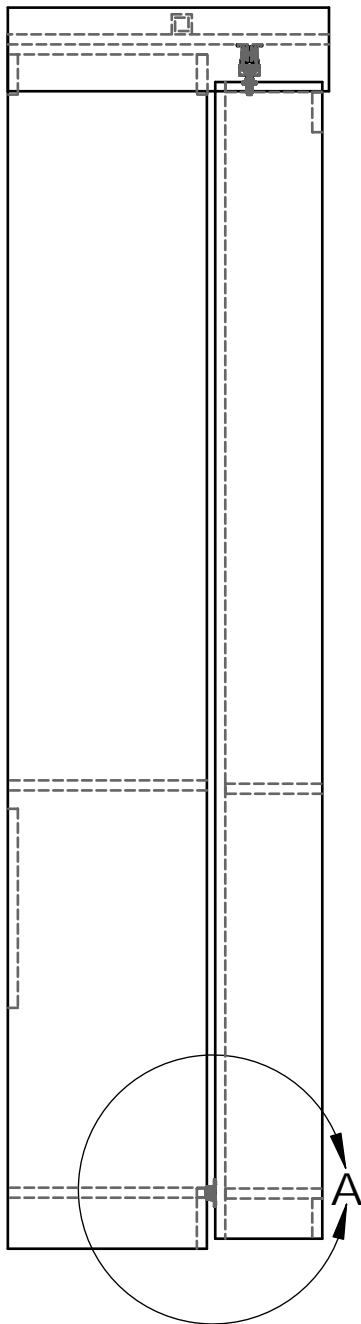


STEP #7

INSTALL SLIDING ROLLERS

Install (2) Sliding Rollers to the back bottom side of each Sliding Cabinet approximately 3.5" up from the bottom of Sliding Cabinet (opposite of the Deck, #14) to the center of the rollers. More important, be sure that rollers will line up on the Front Toe pieces of the Left Side, Right Side and Bed Cabinets (If they are too high they will not function properly).

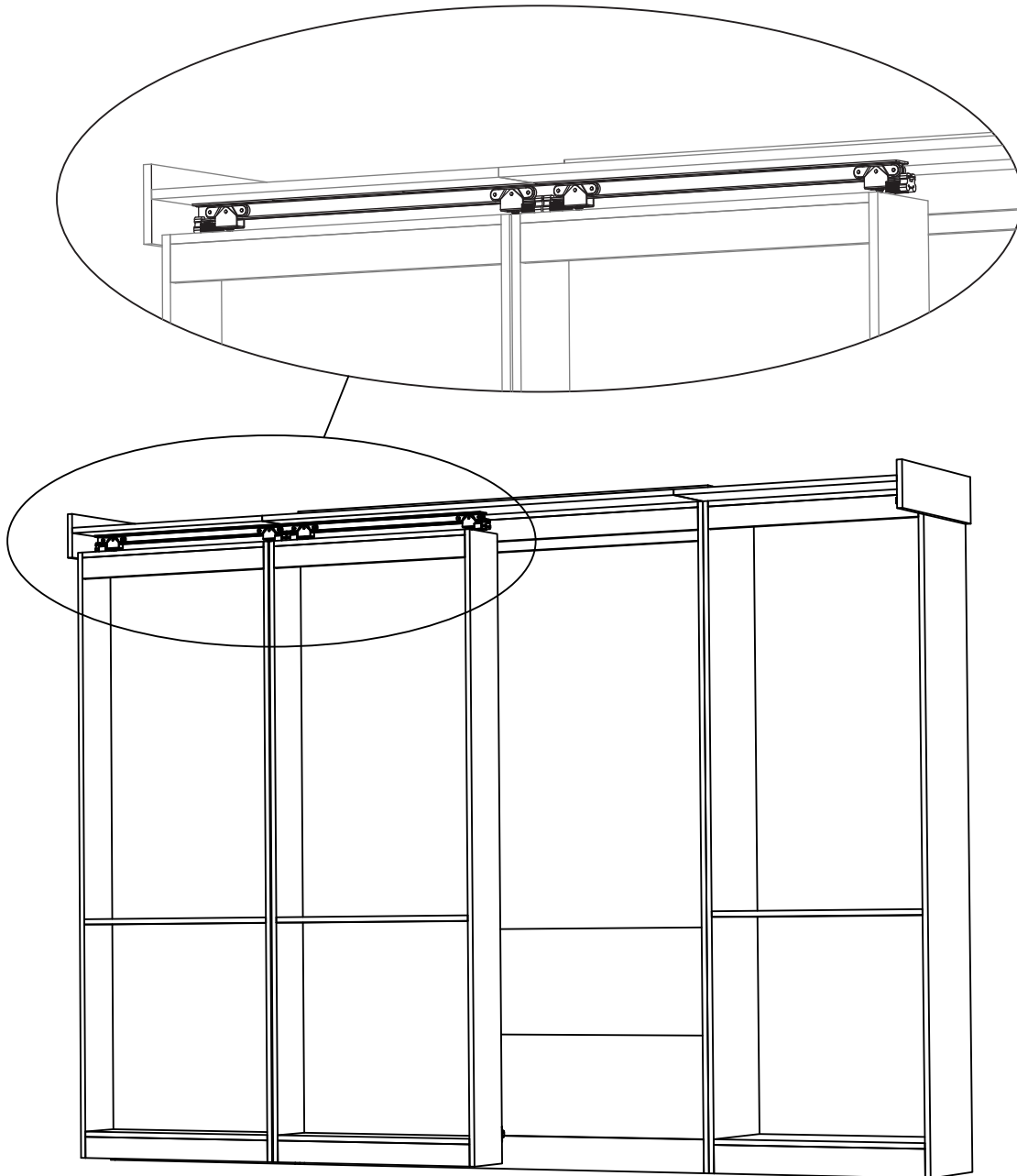
NOTE: Sliding Book Cases are not on track yet.
Image below is only for future reference.



STEP #8

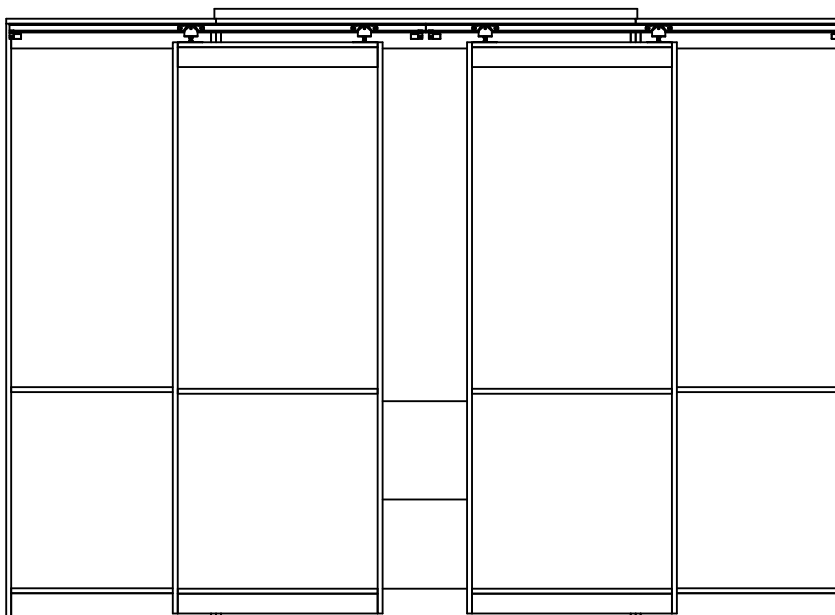
MOUNT SLIDING BOOK CASES

Hang one Sliding Book Case on Left Track. Next, slide on two Rubber Safety Stoppers back to back but do not secure. Hang the second Sliding Book Case and the last Rubber Safety Stop. Both Book Cases and all 4 Safety Stops should be on the left Aluminum Track at this point.

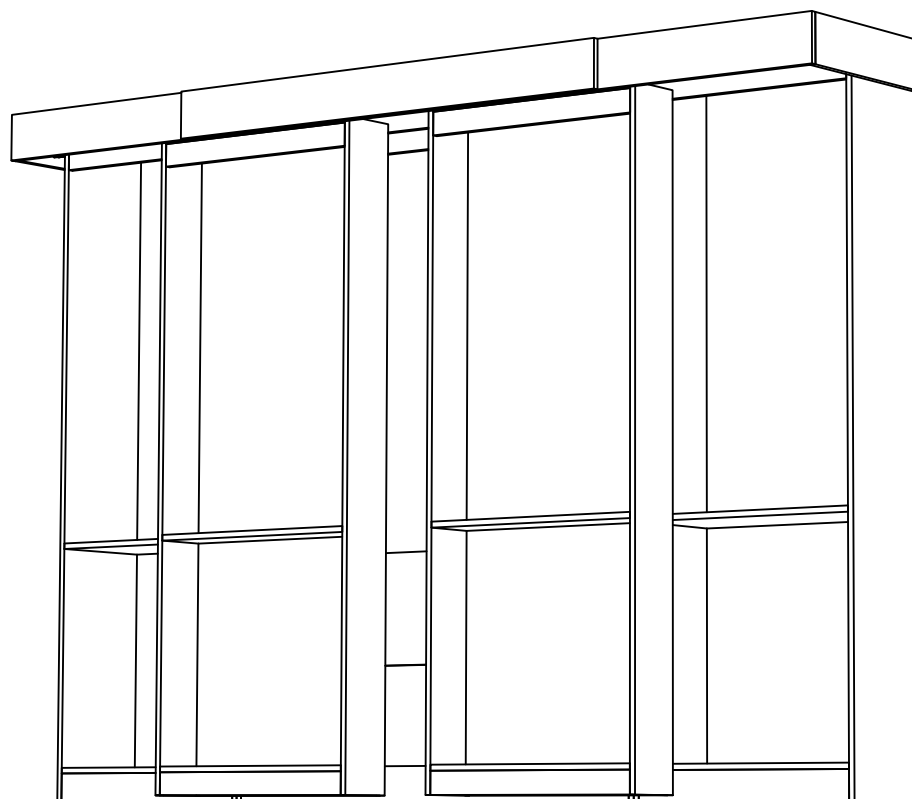


Next, hang right side of Aluminum Track so that it butts up against the left side, in the center of the Bed Cabinet.

Using the adjuster bolts on the 4-wheel Nylon Carriers, level and square the Sliding Book Cases. Tighten the Rubber Safety Stops in their proper positions.



Attach Front Valances #8, #20, and Nailer #9.



Install all adjustable shelves in cabinets and book cases.
Install Murphy Bed Mechanism.